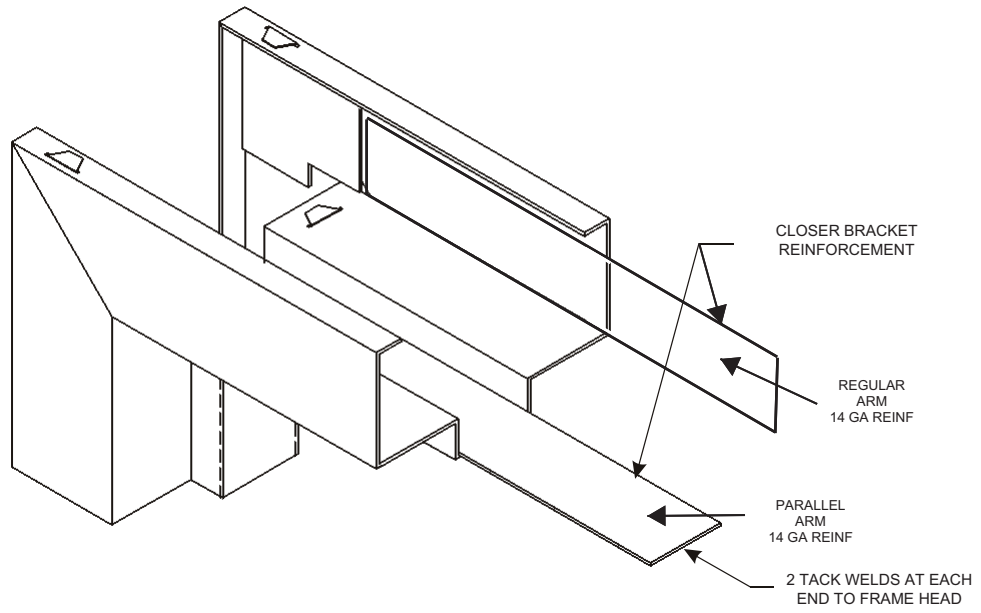
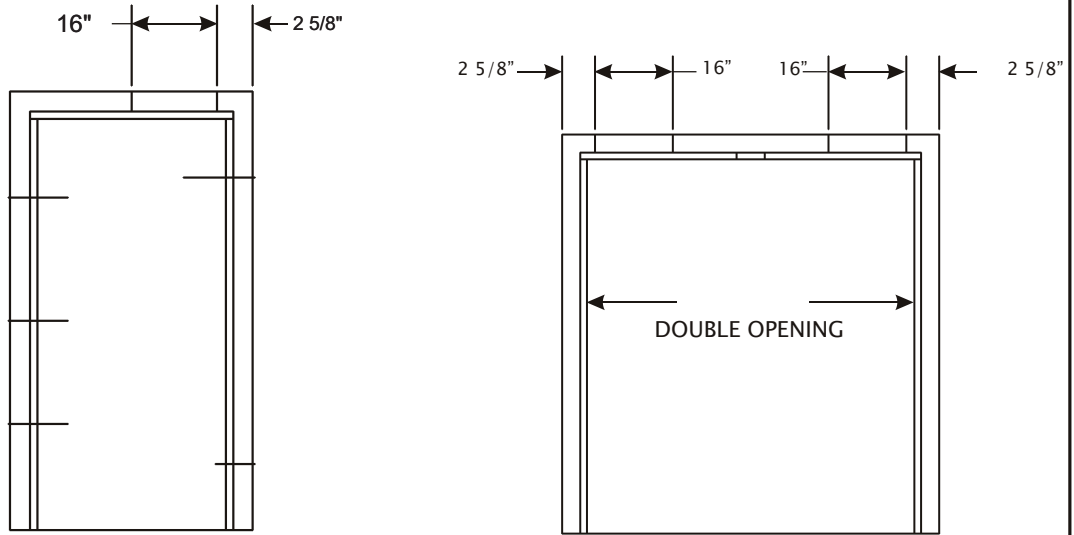


# TECHNICAL DATA SHEET

## F - 100 - 05 STANDARD CLOSER REINFORCEMENT



**Issue Date: January 2006**

REVISED : 02/01/2009

